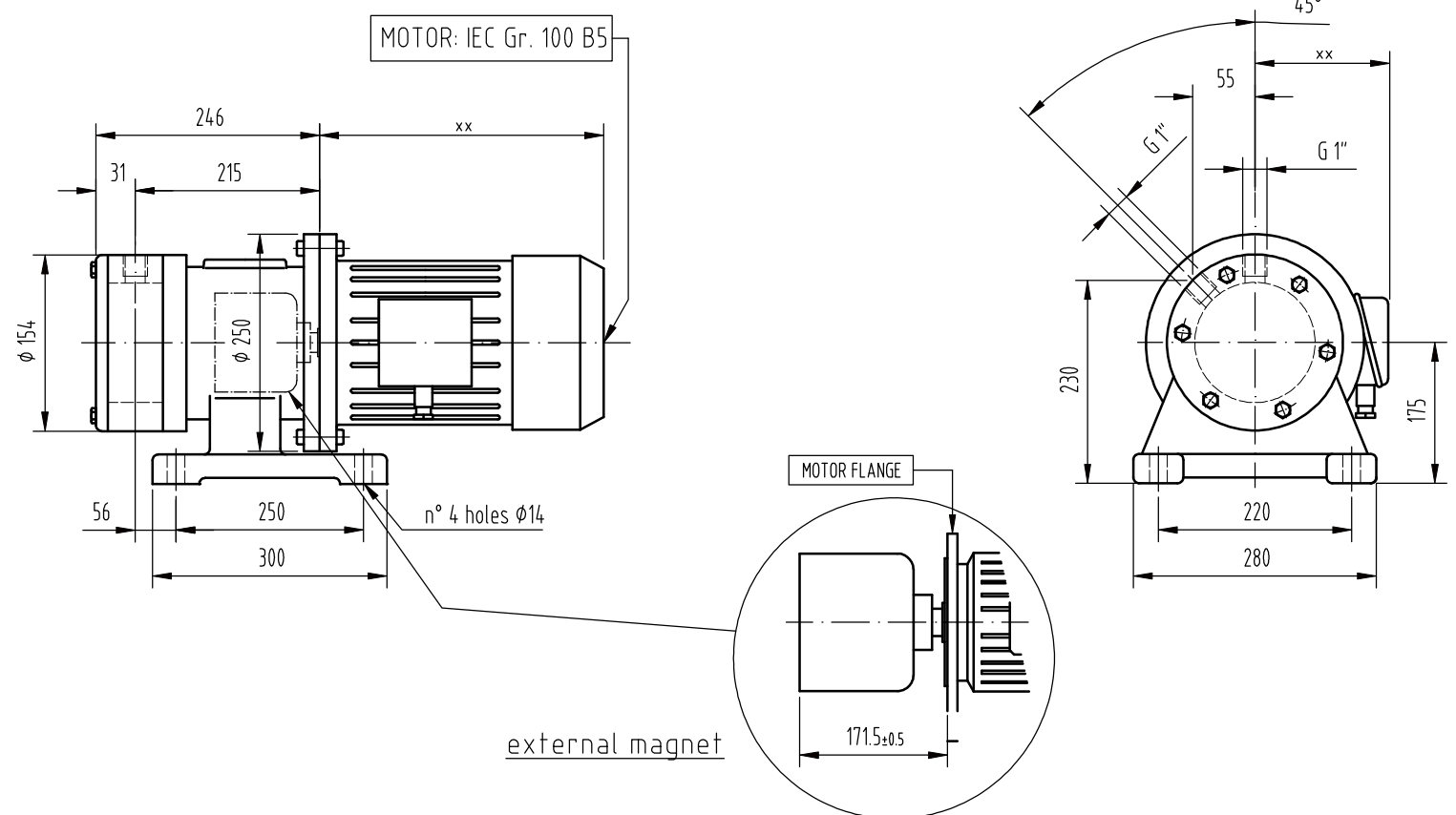
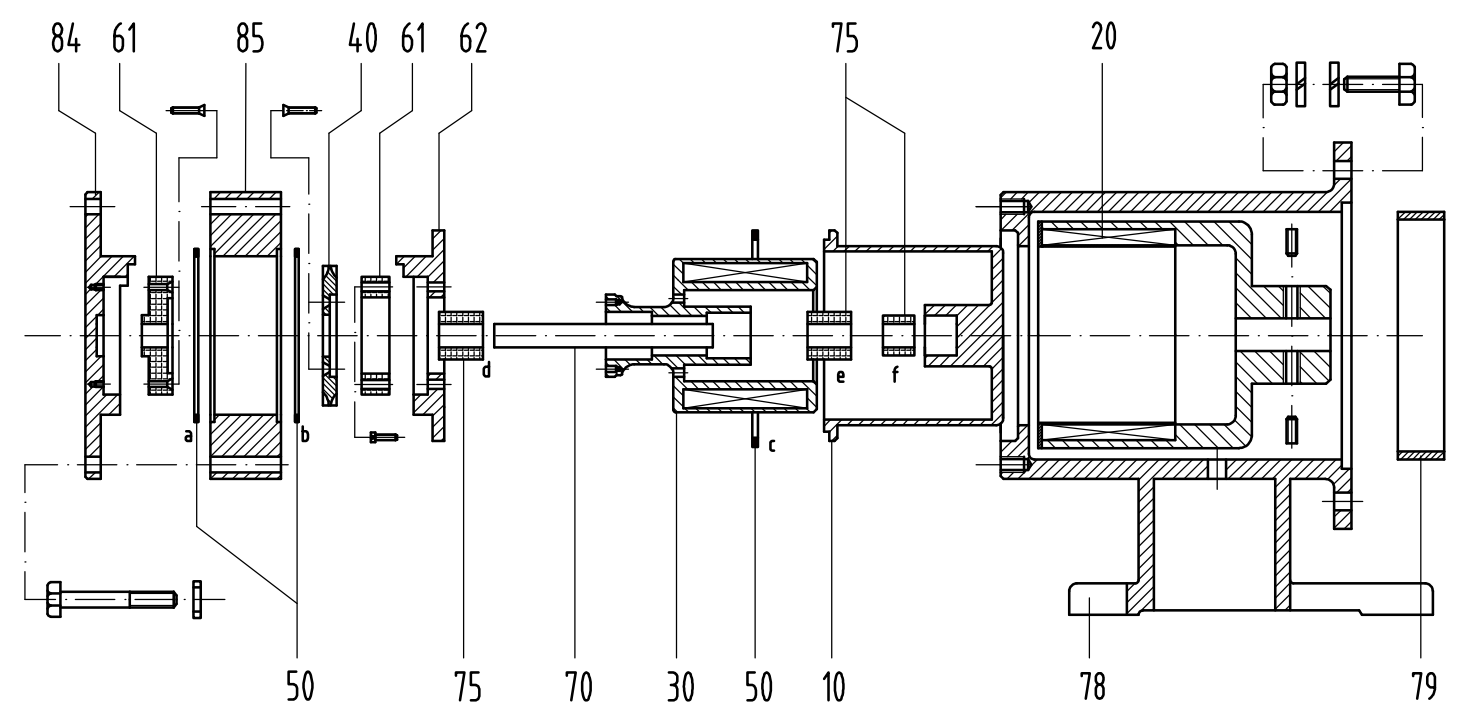


dimensions in mm



(x) DIFFERENT FROM MOTOR MANUFACTURER
- DIRECTION AND PORTS LOCATION ARE REVERSIBLE



REF	DESCRIPTION	MATERIAL	CODE
10	Containment shell	SS 316L	CA-MTA7010S6
20	Ext. Magnet	CoSm/ Carbon Steel	CA-MTA702006
30	Int. Magnet	SS 316L/CoSm	CA-MTA7030S65
40	Impeller	SS 316L	CA-MTA7040S6
50	Set O-Rings (a+b+c) a + b = O-Ring 4375 (240) c = O-Ring 4437 (245)	Viton	CA-MTA7050V
61	Thrust Bearings	Pcarbon	CA-MTA70614
62	Rear Ring	SS316L	CA-MTA7062S6N
70	Shaft	SIC	CA-MTA707003
75	Sleeve Bearings Bearings (d+e) Bearing (f)	SIC SS316	CA-MTA7075S65
78	Bracket (250-180-28)	Cast Iron	CA-MTA708Y1106
79	Rub Ring	Bronze	CA-MTA70796
84	End Cover	SS 316L	CA-MTA7084S6N
85	Pump Casing	SS 316L	CA-MTA7085S601
88	Rear Wet End (10+30+40+50+61+62+70+75)	/	CA-MTA7088S6R005405VNYN0000N

Magnetically coupled, leak-free regenerative turbine pump made of stainless steel in closed coupled design.

Type: MTA 78 SSR - SVISICS

PERFORMANCE DATA

- Nomial speed: 2900 1 / min
- Capacity flow, max.: 7,0 m³ / h
- Delivery height, max.: 73 m
- System pressure max.: 16 bar
- Temperature max.: 315 °C
- NPSH required: 2,0 m - 6,0 m (depending on the operating point)

-CONNECTIONS

Suction/Discharge side: Threaded G1" UNI ISO 228/1



MARCH PUMPEN GmbH & Co.KG
 Rathenastraße 2
 D-35394 Gießen
 www.march-pumpen.com
 info@march-pumpen.com

Baureihe / Series:	MTA
Typ / Type:	MTA 78 SSR SVISICS
Motor:	IEC 100 B5